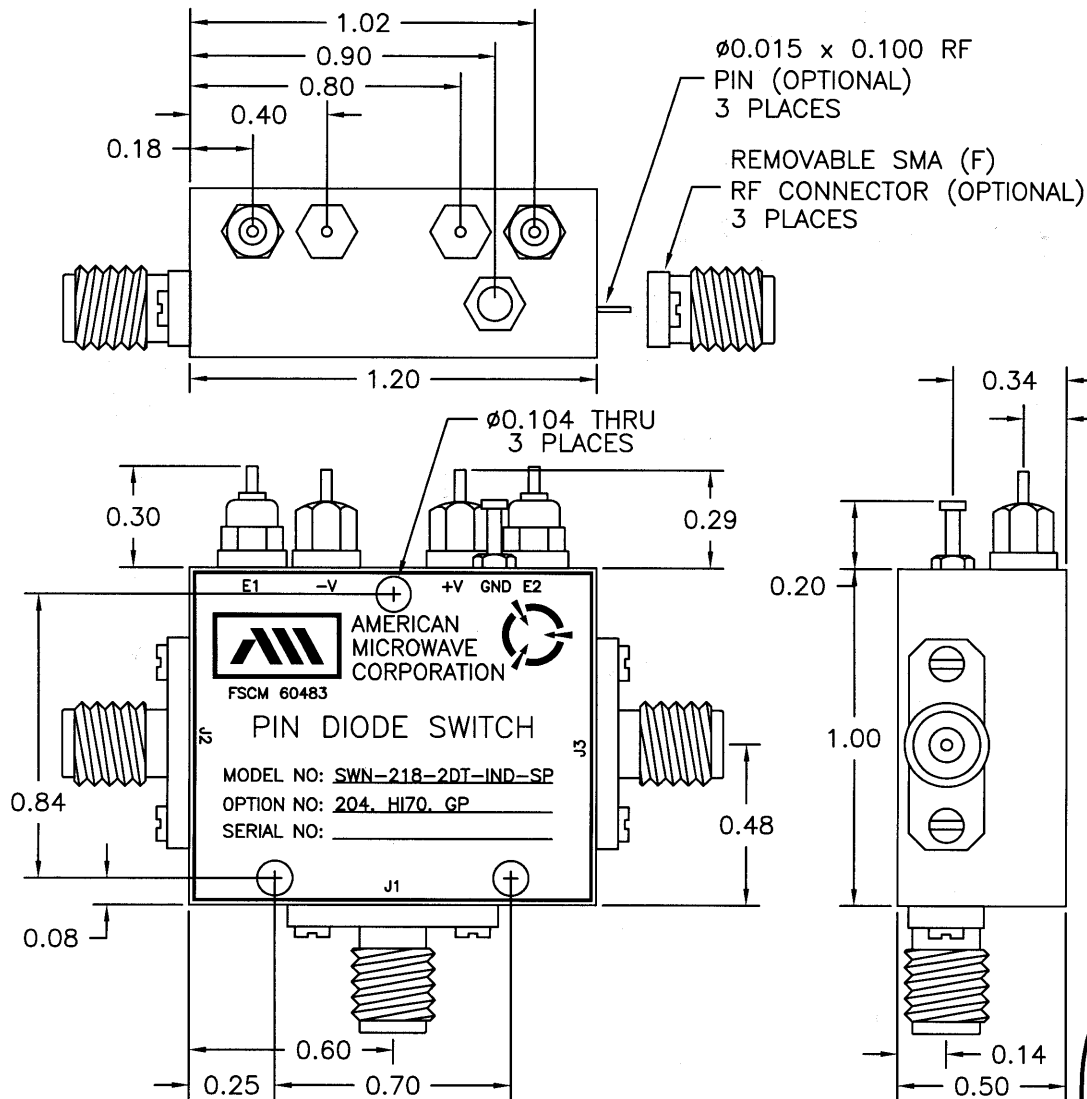


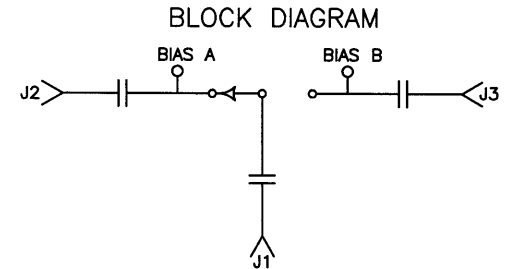
DESCRIPTION

AMC MODEL SWN-218-2DT-IND-SP OPTION: 204, HI70, GP IS A SINGLE POLE TWO THROW ABSORPTIVE/NON-REFLECTIVE SWITCH DESIGNED TO OPERATE BETWEEN THE 2 TO 4 GHz FREQUENCY RANGE WITH HIGH ISOLATION AND LOW INSERTION LOSS.

REVISIONS				
ZONE	REV.	DESCRIPTION	DATE	APPROVED
		- ORIGINAL RELEASE JOB# 503077-2	09/21/05	



MECHANICAL OUTLINE



ALL DIMENSIONS ARE IN INCHES
TOLERANCES:
X.XX ±0.020
X.XXX ±0.010

AMERICAN MICROWAVE CORPORATION

7311-G GROVE ROAD
FREDERICK, MARYLAND 21704 USA
TEL: 301-662-4700 FAX: 301-662-4938
WEBSITE: www.americanmicrowavecorp.com
E-MAIL: sales@americanmicrowavecorp.com
ISO 9001:2000 CERTIFIED



APPROVALS		DATE	TITLE			
DRAWN <i>JDJ</i>		3/21/05	MECHANICAL OUTLINE SWN-218-2DT-IND-SP OPTION:204, HI70, GP 2 - 4 GHz, SINGLE POLE TWO THROW SWITCH			
CHECKED			SIZE A	FSCM NO. 60483	DWG NO. 100-7388	REV. -
ISSUED			SCALE N:S		SHEET 2 OF 3	

DESCRIPTION

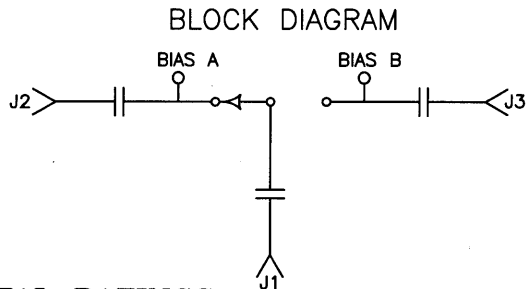
AMC MODEL SWN-218-2DT-IND-SP OPTION: 204, HI70, GP IS A SINGLE POLE TWO THROW ABSORPTIVE/NON-REFLECTIVE SWITCH DESIGNED TO OPERATE BETWEEN THE 2 TO 4 GHz FREQUENCY RANGE WITH HIGH ISOLATION AND LOW INSERTION LOSS.

SPECIFICATIONS

- FREQUENCY RANGE: 2 TO 4 GHz
- INSERTION LOSS: 1.5 dB MAXIMUM
- ISOLATION: 70 dB MINIMUM
- VSWR (ON/OFF): 2.0:1
- DELAY ON: 1 uSec MAXIMUM
- DELAY OFF: 1 uSec MAXIMUM
- POWER INPUT: +10 dBm
- CONTROL: TTL LOGIC "0" = ON
TTL LOGIC "1" = OFF
- POWER SUPPLY: +5V @ 100 mA MAXIMUM
-5V @ 100 mA MAXIMUM
- CONNECTORS:
RF: SMA FEMALE
CONTROL: SOLDER PIN
- SIZE: 1.20" (L) x 1.00" (W) x 0.50" (H)
- WEIGHT: 1.5 OUNCE TYPICAL

OPTIONS:

- 204: 2 TO 4 GHz FREQUENCY RANGE
- HI70: 70 dB ISOLATION
- GP: SPECIAL SPECIFICATIONS FOR CUSTOMER

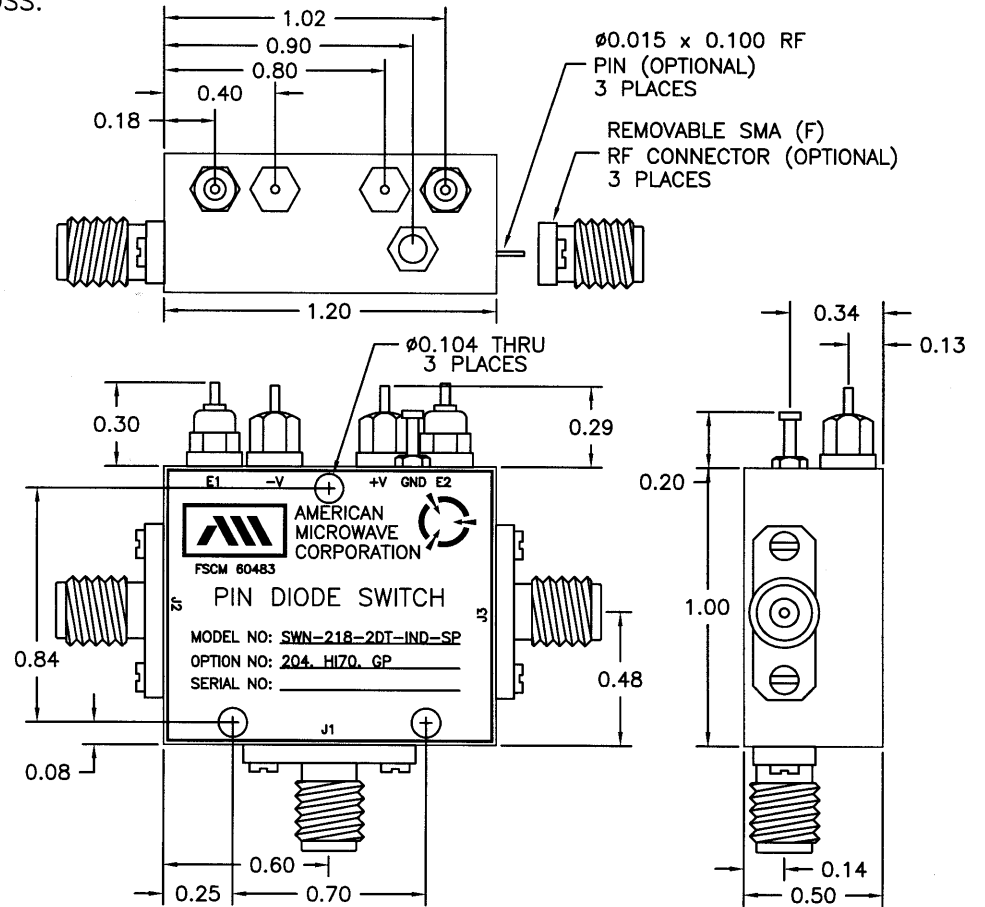


ENVIRONMENTAL RATINGS:

- TEMPERATURE: -55°C TO +85°C (OPERATING)
-65°C TO +125°C (STORAGE)
- HUMIDITY: MIL-STD-202F, METHOD 103B COND. B
- SHOCK: MIL-STD-202F, METHOD 213B COND. B
- VIBRATION: MIL-STD-202F, METHOD 204D COND. B
- ALTITUDE: MIL-STD-202F, METHOD 105C COND. B
- TEMPERATURE CYCLE: MIL-STD-202F, METHOD 107D COND. A

NOTE: SPECIFICATIONS WILL VARY OVER OPERATING TEMPERATURE
NOTE: THE ABOVE SPECIFICATIONS ARE SUBJECT TO CHANGE OR REVISION

REVISIONS				DATE	APPROVED
ZONE	REV.	DESCRIPTION			
		- ORIGINAL RELEASE JOB# 503077-2		09/21/05	



AMERICAN MICROWAVE CORPORATION

7311-G GROVE ROAD
FREDERICK, MARYLAND 21704 USA
TEL: 301-662-4700 FAX: 301-662-4938
WEBSITE: www.americanmicrowavecorp.com
E-MAIL: sales@americanmicrowavecorp.com
ISO 9001:2000 CERTIFIED



APPROVALS		DATE	TITLE		
DRAWN <i>JDJ</i>		9/21/05	PRODUCT FEATURE SWN-218-2DT-IND-SP OPTION: 204, HI70, GP 2 - 4 GHz, SINGLE POLE TWO THROW SWITCH		
CHECKED			SIZE A	FSCM NO. 60483	DWG NO. 100-7388
ISSUED			SCALE N:S		SHEET 1 OF 3

ALL DIMENSIONS ARE IN INCHES
TOLERANCES:
X.XX ±0.020
X.XXX ±0.010